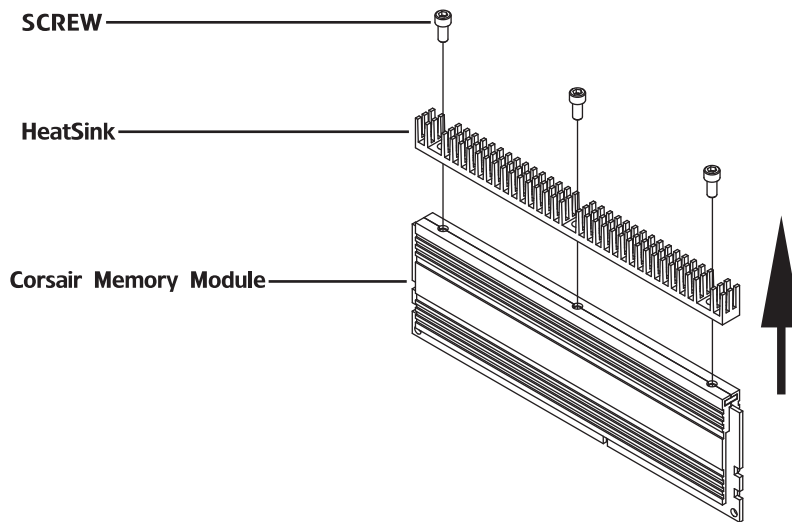


BITSPower MEMORY BLOCK X2 V2

For Corsair Memory Module

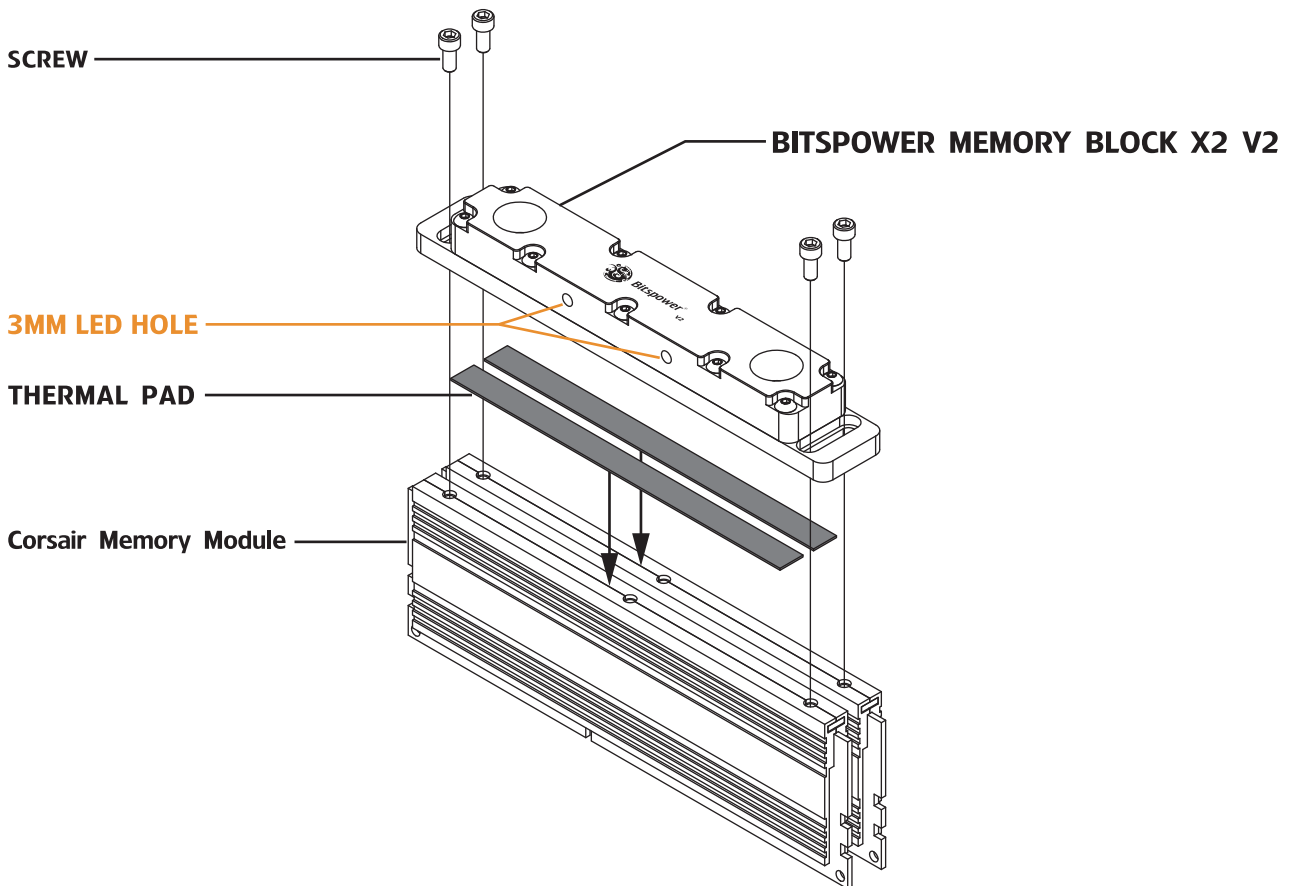
Installation Guide

Step 1 Top HeatSink Take Off



Step 2 Installation Memory Block To The Memory Module

ATTENTION : Original Screw For Block Mounting



LED holes only available on clear acrylic top version.

NOTE : 24 HOURS LEAKAGE TEST BEFORE USING