

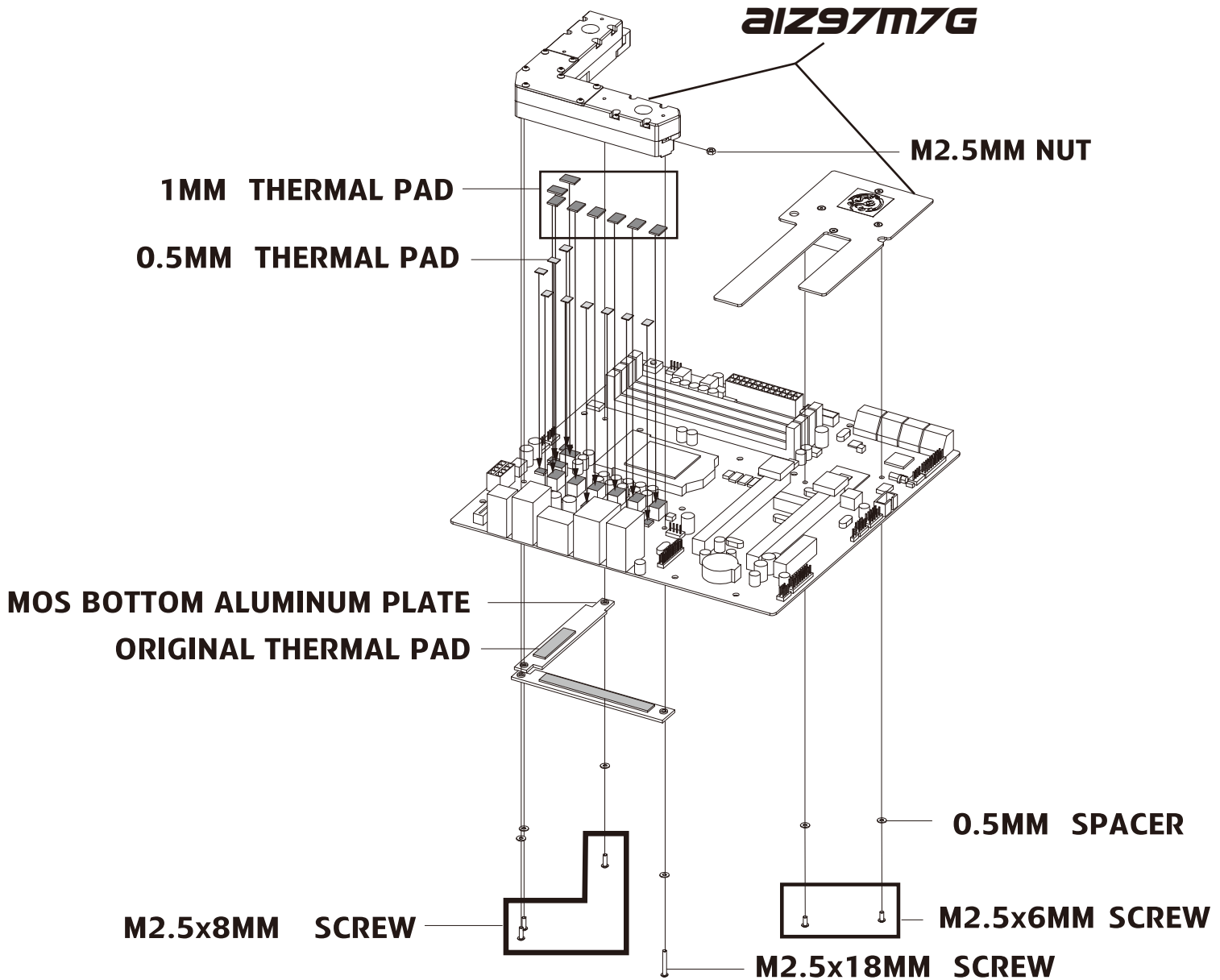


Bitpower®

# Bitpower Water Block

## Design For (ASUS MAXIMUS VII GENE) Intel Z97 Installation Guide

### Step 1



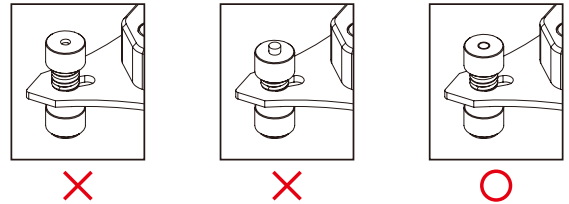
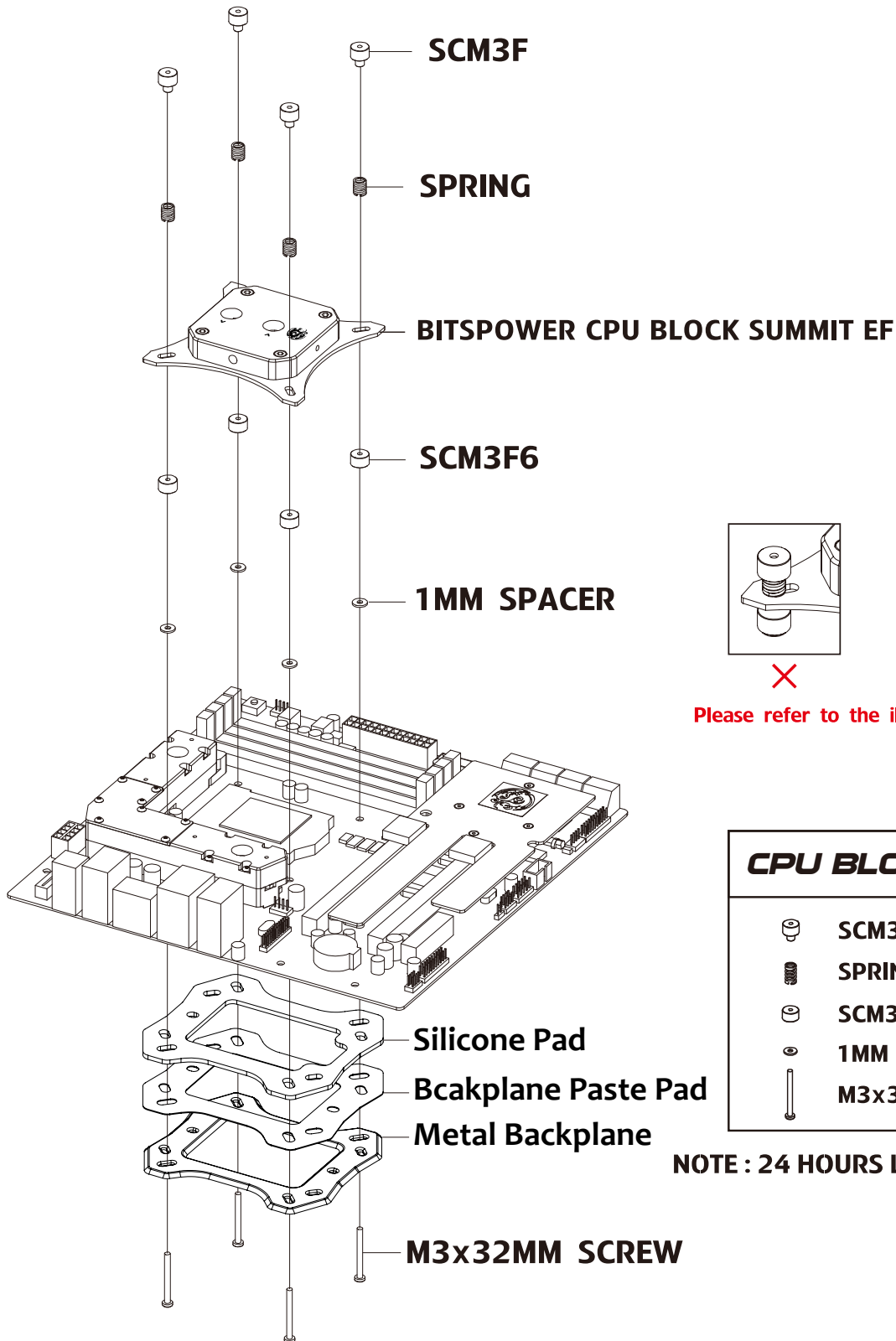
<b>aiz97m7g</b>			
	<b>M2.5x6MM</b>	<b>SCREW</b>	<b>2PCS</b>
	<b>M2.5x8MM</b>	<b>SCREW</b>	<b>3PCS</b>
	<b>M2.5x18MM</b>	<b>SCREW</b>	<b>1PCS</b>
	<b>M2.5MM</b>	<b>NUT</b>	<b>1PCS</b>
	<b>0.5MM</b>	<b>SPACER</b>	<b>6PCS</b>

**NOTE : 24 HOURS LEAKAGE TEST BEFORE USING**

# Bitpower Water Block

## Design For (ASUS MAXIMUS VII GENE) Intel Z97 Installation Guide

### Step2



Please refer to the illustration lock nut to the position.

#### **CPU BLOCK SUMMIT EF**

	<b>SCM3F</b>	<b>4 PCS</b>
	<b>SPRING</b>	<b>4 PCS</b>
	<b>SCM3F6</b>	<b>4 PCS</b>
	<b>1MM SPACER</b>	<b>4 PCS</b>
	<b>M3x32MM SCREW</b>	<b>4 PCS</b>

**NOTE : 24 HOURS LEAKAGE TEST BEFORE USING**